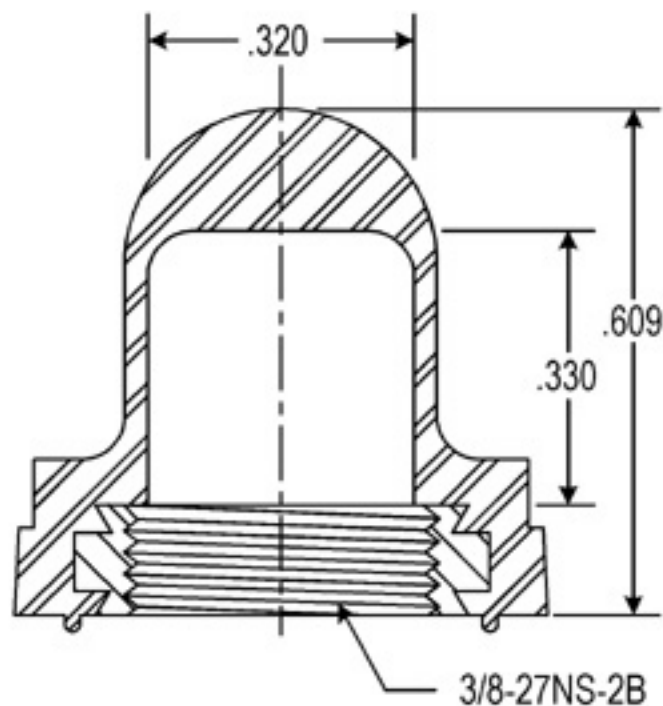
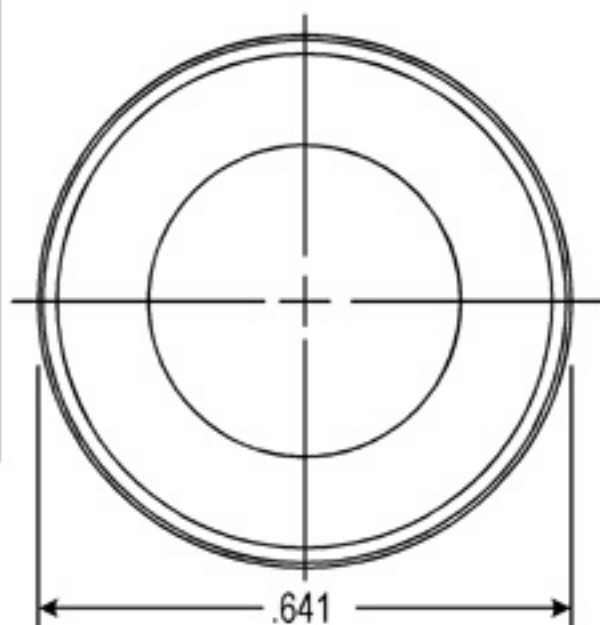


**SPECIFICATIONS**

**Material:** E-SEELS — Silicone rubber polymer type ASTM D 1418  
**Mounting Nut:** E-SEELS: ALUMINUM INSERT  
**Temperature Range:** E-SEELS: -80°F to +400°F  
**Pressure Range:** Exceeds 15 psi internal and 1500 psi external.  
 (N5032B: 10 psi)  
**Operational Life:** 50,000 actuations (minimum).  
**Shelf Life:** Excess of 25 years.  
**Resistant to:** Salt spray, sunlight, ozone, weather, fungus, and most acids and lubricating oils  
**Agency Recognition:** E-SEELS and HEXSEALS are UL-listed to UL Std. 50 types 1-13, and meet CSA standards.  
**Installation:** If a reducing adaptor is required – see page 14 of HEXSEAL catalog HEX200 for part numbers and drawing.



A		CAD COMPUTER GENERATED		9/23/02	
REV.	DESCRIPTION			DATE	
MAXIMUM AND MINIMUM MEASUREMENTS ARE STATED DIRECTLY ON EACH DIMENSION.		TITLE:	BOOT-PLUNGER (C1221/21)	ENG.	
MAT'L: SILICONE RUBBER ASTM D 1418				DWN.	CARBONE
FINISH: CLEAR		APM-HEXSEAL CORPORATION		CHKD.	NICK
		SCALE		DWG. NO.	(C1221/21) E-SEEL®
		4:1			

THIS DRAWING COVERS PROPRIETARY ITEM AND IS THE PROPERTY OF THE APM-HEXSEAL CORPORATION.  
 THIS DRAWING IS NOT TO BE COPIED OR USED WITHOUT THE WRITTEN APPROVAL OF AN OFFICER OF THE APM-HEXSEAL CORPORATION.